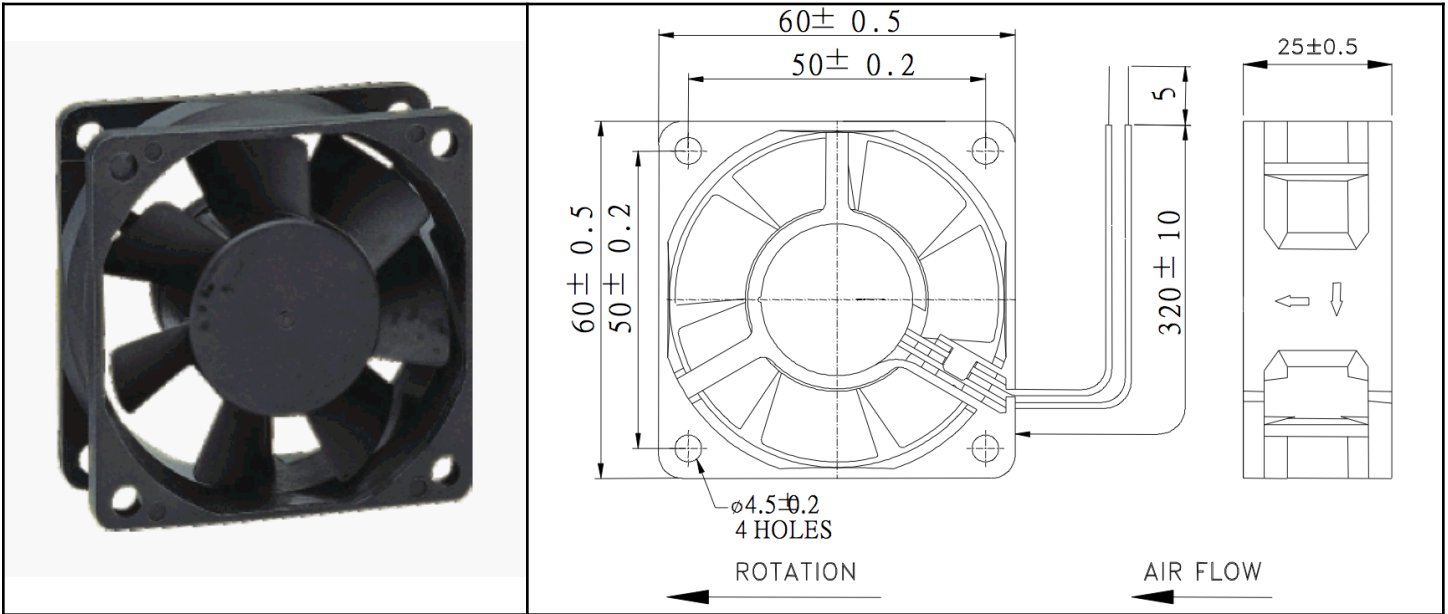


OD6025 Series



DC Fan - 12, 24V
60x25mm (2.36"x 1.0")



Frame & Impeller	PBT, UL94V-O plastic	Available Options: Sleeve Bearing Ball Bearing Tachometer Alarm IP55 48V & 5V Life Expectancy (L10) 40,000 hrs (40C) Operating Temperature -10 ~ 70C	
Connection	2x Lead wires 24AWG		
Motor	Brushless DC, auto restart, polarity protected		
Bearing System	Sealed Sleeve		
Insulation Resistance	10M ohm between leadwire and frame (500VDC)		
Dielectric Strength	1 second at 500 VAC, max leakage - 500 MicroAmp		

Part Number	OD6025-12HSS	OD6025-24HSS
Nominal Voltage	12 VDC	24 VDC
Nominal Current	0.23A	0.15A
Rated Power	2.8W	3.6W
Rated Speed (RPM)	4600	4600
Airflow (CFM)	25	25
Noise Level (dB)	35	35
Max. Static Pressure	0.20" H2O	0.20" H2O

To indicate sleeve bearing replace "SS" suffix with "S" in part number (25,000 hrs life expectancy)
 To indicate ball bearing replace "SS" with "B" in part number (60,000 hrs life expectancy)

